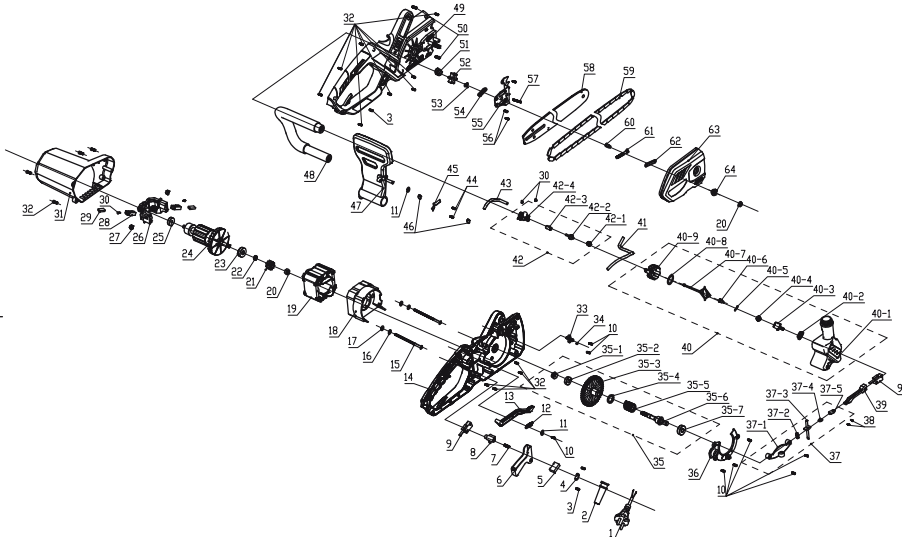


Exploded Drawing of RAIDER Electric Chain Saw RD-ECS16X



Spare part list of RAIDER Electric Chain Saw RD-ECS16X

| Serial# | Description | Qty | Remark | 37-4 | 37-5 |
|---------|-----------------------------|-----|--------|-------------------------------------|------|
| 1 | Power Cord | 1 | | Flat gasket | 1 |
| 2 | Cable Sheath | 1 | | Press Board | 1 |
| 3 | Self-Tape Screw | 3 | | connecting rod | 2 |
| 4 | Press Board | 1 | | Oil tank assembly | 1 |
| 5 | Capacitor | 1 | | Oil tank | 1 |
| 6 | Switch Trigger | 1 | | Oil tank sealing ring | 1 |
| 7 | Lock Off Switch Spring | 1 | | Oil tank connecting tip | 1 |
| 8 | Lock Off Button | 1 | | foam boss | 1 |
| 9 | Switch | 2 | | oil tank connecting tip cover valve | 1 |
| 10 | Self-Tape Screw | 8 | | retaining cap | 1 |
| 11 | Flat Washer | 2 | | Oil tank sealing ring | 1 |
| 12 | Spring | 1 | | Oil tank cap | 1 |
| 13 | Push Rod | 1 | | Oil inlet pipe | 1 |
| 14 | Left Housing | 1 | | Oil pump | 1 |
| 15 | Stator Screw | 2 | | worm drive gear | 1 |
| 16 | Spring gasket | 2 | | worm drive shaft | 1 |
| 17 | Flat Washer | 2 | | worm drive shaft insert | 1 |
| 18 | Wind Shield | 1 | | Piston sleeve | 1 |
| 19 | Stator | 1 | | Oil pump body | 1 |
| 20 | Flange Nut | 1 | | Oil outlet pipe | 1 |
| 21 | pinion | 1 | | Flange head self-tape screw | 1 |
| 22 | Rotor Spindle Sleeve | 1 | | spring piece | 1 |
| 23 | Deep Groove Ball Bearing | 1 | | spindle circlip | 2 |
| 24 | Rotor | 1 | | protecting board | 1 |
| 25 | Deep Groove Ball Bearing | 1 | | weight balance | 1 |
| 26 | Motor Rear Bracket | 1 | | protecting board insert | 1 |
| 27 | Hex Thicken Nut | 2 | | assist handle | 1 |
| 28 | Copper Sleeve | 2 | | right handle | 1 |
| 29 | Carbon Brush | 2 | | housing screw | 1 |
| 30 | Flange head self-tape screw | 1 | | housing screw | 1 |
| 31 | housing | 1 | | housing insert | 1 |
| 32 | Self-Tape Screw | 16 | | Self-Tape Screw | 19 |
| 33 | oil outlet tip | 1 | | tension spring | 1 |
| 34 | O-ring | 1 | | hex sprocket wheel | 1 |
| 35 | Gear assembly | 1 | | E-clip | 1 |
| 35-1 | Lock nut | 1 | | circle sealing ring | 1 |
| 35-2 | Deep Groove Ball Bearing | 1 | | buffer board | 1 |
| 35-3 | Big Bear | 1 | | sucken self-tape screw | 2 |
| 35-4 | spindle sleeve | 1 | | Self-Tape Screw | 1 |
| 35-5 | torsion spring | 1 | | guide bar | 1 |
| 35-6 | Output shaft | 1 | | chain | 1 |
| 35-7 | Deep Groove Ball Bearing | 1 | | tension nut | 1 |
| 36 | Dust proof cover | 1 | | tension screw | 1 |
| 37 | Brake Rod assembly | 1 | | end cover sealing ring | 1 |
| 37-1 | Brake Rod Fixing board | 1 | | end cover | 1 |
| 37-2 | Brake rod spring | 1 | | end cover locating sleeve | 1 |
| 37-3 | Brake rod | 1 | | | |
| 37-3-1 | Brake rod insert | 1 | | | |